

The Complete Decking Builder's Manual

Prepare The Garden For Your Decking

Before Your Decking Timber Arrives

You have completed your decking design, drawn up a list of materials and placed your order. You then assembled all the necessary tools and equipment that you will need to build and finish your new decking project.

However, you can't sit in your armchair waiting for delivery, because you have some work to do in the garden.

You must prepare the decking site ready for construction, and even an old patio or level lawn area is going to require some preparation. After working out the size and orientation of the deck, clear and prepare the site.

It is possible in some circumstances to build your decking right on top of broken patio paving, or an old lawn and flower beds, with very little preparation. However, if you want your decking to last for many years and be problem free, it is best to clear the ground.



Mark out where you will build the deck and remove the old patio slabs. You may find that you can re-use them—perhaps as a garden rockery!

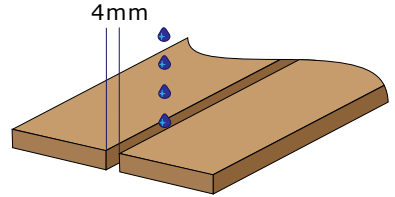
The Complete Decking Builder's Manual

Attaching Decking Boards

Decking Screws

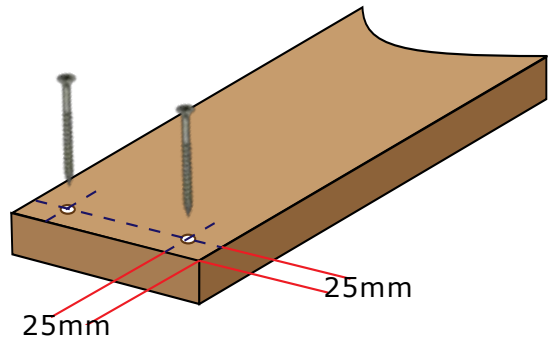
Decking boards are produced from different materials and there are different ways to secure them to the supports. Whichever you choose, make sure you have the right tools for the job—and with some of the methods—the patience to complete the whole deck.

A decking board should be no closer to another item than 4 mm, because at this distance water cannot build up surface tension and remain between two items; it will keep moving. By creating this space, you ensure water will not get trapped between the decking boards.



The tools required to lay decking boards include: drill bit, screw bit, counter sinker, plug maker, drill/driver, chisel, mallet, bow-ratchet, biscuit joiner, sander, square, and pencil.

Once you have chosen the type of screw for the job, you then want to fix your decking board in place. Position the first decking board onto the sub-frame. Use the square and measure 25mm in from the sides of the decking board; mark this point with a pencil.



When the screws are at the ends of the boards, then they also need to be positioned no closer than 25mm from the board-end. If you are using a hard wood decking board, you need to drill a pilot hole before the screw is fixed in place in order to help prevent splitting the wood.

